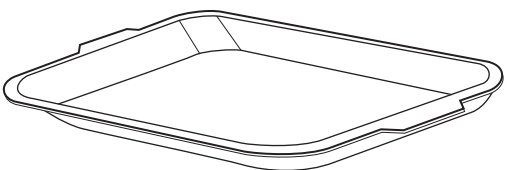


WARING COMMERCIAL®

Europe Heavy-Duty Belgian Waffle Maker
with Replaceable Plates

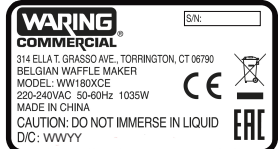
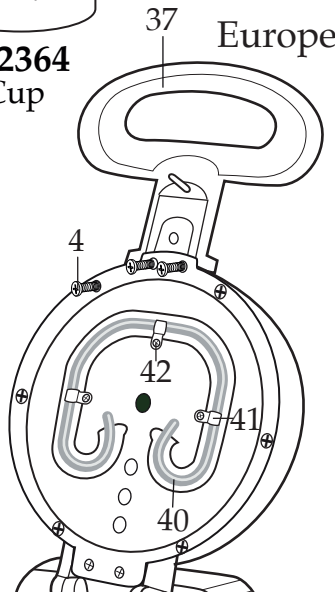
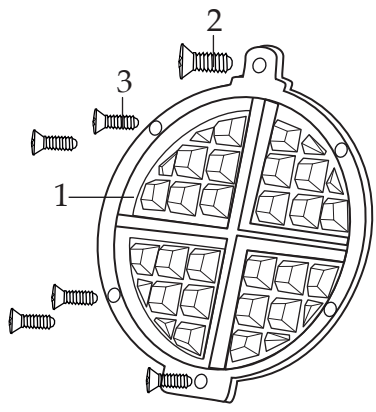
WW180XCE



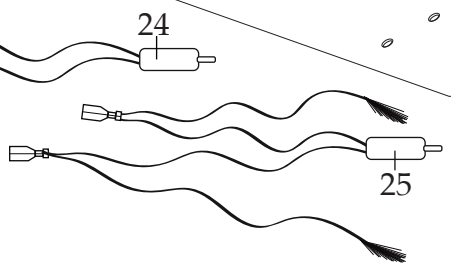
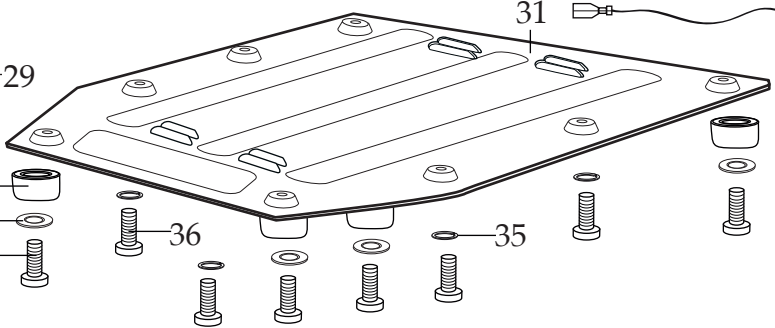
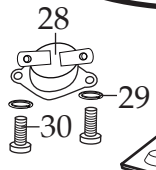
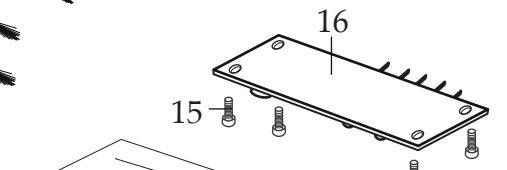
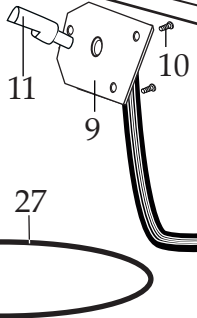
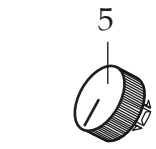
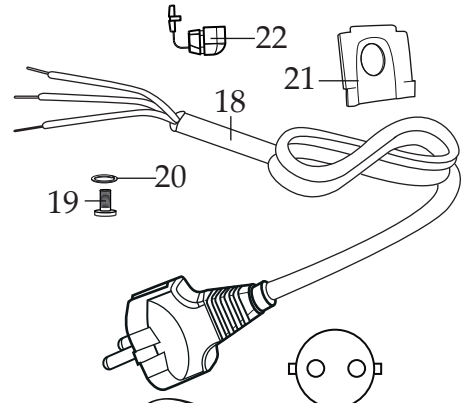
032350
Drip Pan



032364
Cup



↑
Date Code Location
week week|year year



Catalog/Model

WW180CE



Illustration#	Part#	Description
1	037510	Waffle Plate (1 top - 1 bottom)
2	037357	Screw (1 top plate - 1 bottom plate)
3	037356	Screw (5 top plate - 5 bottom plate)
4	037493	Screw (10 top inner plate - 10 bottom inner plate)
5	032352	Knob
6	035321	Toggle Switch Boot
7	016236	Hex Nut
8	037931	Locking Ring
9	035316	Darkness Control Board (short tape)
10	032359	Screw (3 required)
11	036241	Connector Pole
12	012409	Small Crimp Connector (5 required)
	019123	Large Crimp Connector (2 required)
13	013731	Wire Tie (6 required)
14	037927	Toggle Switch with Leads
15	032359	Screw (4 required)
16	037930	PCB Board
17	030638	Power Board Shield
18	037933	Cord Set
19	035298	Ground Screw
20	032751	Ground Spring Washer
21	032371	Cord Plate
22	035476	Strain Relief
23	037926	Green/Yellow Ground Lead Assembly
24	037928	Power Bulb with Lead Assembly
25	037929	Ready Bulb with Lead Assembly
26	038131	Small Rubber Gasket
27	038132	Round Rubber Gasket
28	038133	Thermostat
29	037504	Spring Washer (2 required)
30	032359	Screw (2 required)
31	032351	Bottom Plate

Illustration#	Part#	Description
32	032353	Foot (4 required)
33	032354	Foot Washer (4 required)
34	032355	Screw (4 required)
35	032751	Spring Washer (4 required)
36	032750	Bottom Plate Screw (4 required)
37	037488	Top Handle
38	037489	Bottom Handle
39	037493	Screw (2 top handle - 2 bottom handle)
40	037932	Heating Element (1 top - 1 bottom)
41	037503	Clamp (3 top heating element - 3 bottom heating element)
42	032359 037504	Screw (3 top clamps - 3 bottom clamps) Spring Washer (3 top clamps - 3 bottom clamps)
43	032751	Spring Washer (2 top heating element - 2 bottom heating element)
44	037505	Screw (2 top heating element - 2 bottom heating element)
45	037506	Insulated Sleeve (2 top heating element - 2 bottom heating element)

